



Railway Fastener



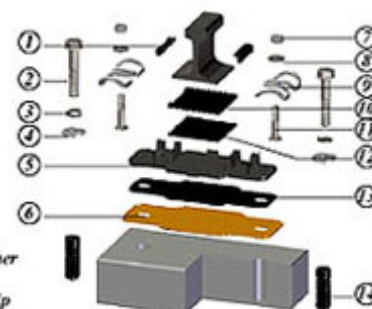
TYPE-WJ-7

TYPE-WJ-7 FASTENING SYSTEM

Designed according to the profile of the 60kg/m rail, fitted on all kinds of ballastless tracks without shoulder structure. Satisfies the maximum speed of 250 km/h passenger transportation dedicated line (include freight transportation) and the 350 km/h passenger transportation dedicated line. For the rail left, right and height position could achieve the stepless adjustment.



- | | |
|-------------------------------|--|
| ① Insulating block | ⑧ Plain washer |
| ② Anchorage bolt | ⑨ Elastic clip |
| ③ Heavy spring washer | ⑩ Rubber pad |
| ④ Plain pad block | ⑪ T-shaped bolt |
| ⑤ Iron tie plate | ⑫ Sub-rail height adjustment pad |
| ⑥ Insulating buffer tie plate | ⑬ Height adjustment pad below the iron tie plate |
| ⑦ Nut | ⑭ Pre-embedded sleeve |



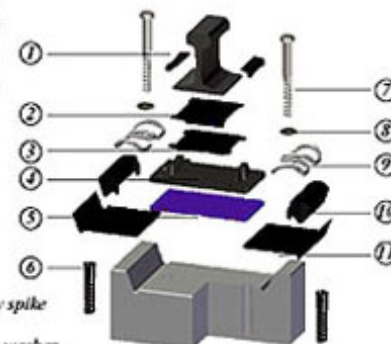
TYPE-WJ-8

TYPE-WJ-8 FASTENING SYSTEM

Designed according to the profile of the 60kg/m rail, fitted on all kind of ballastless tracks with shoulder structure. Satisfies the maximum speed of 250 km/h passenger transportation dedicated line (include freight transportation) and the 350 km/h passenger transportation dedicated line. For the rail left, right and height position could achieve the adjustment of the steps.



- | | |
|---------------------------------|--|
| ① Insulating block | ⑦ Screw spike |
| ② Rubber pad | ⑧ Plain washer |
| ③ Sub-rail micro-adjustment pad | ⑨ Elastic clip |
| ④ Iron tie plate | ⑩ Gauge plate |
| ⑤ Sub-rail elastic pad | ⑪ Height adjustment pad below the iron tie plate |
| ⑥ Pre-embedded sleeve | |





MIDAS UNION

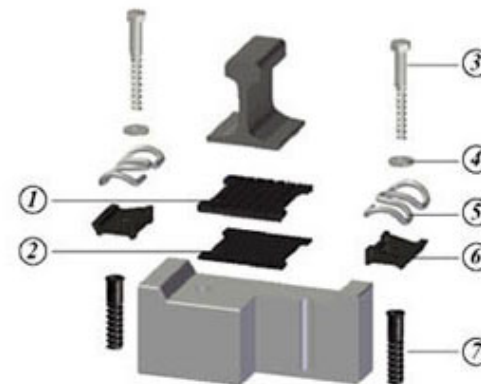
EN 14566 | Professional OEM / ODM
ISO-9001 | Fastener Service





TYPE-V ELASTIC CLIP FASTENING SYSTEM

Designed according to the profile of the 60kg/m rail. Fitted on the ballasted track of the concrete sleeper with shoulder. Satisfies the maximum speed of 250 km/h passenger transportation dedicated line. The rail left, right and height position are adjustable. Less parts and easy installation.







TYPE-IV ELASTIC CLIP FASTENING SYSTEM

Designed according to the profile of the 60kg/m rail. Fitted on the ballasted track of the concrete sleeper without shoulder. Satisfies the maximum speed of 250 km/h passenger transportation dedicated line. The rail left/right positions are adjustable. The height positions couldn't be adjusted.



- ① Elastic clip
- ② Rubber pad
- ③ Insulating gauge block
- ④ Pre-embedded iron seat





MIDAS UNION

EN 14566 | Professional OEM / ODM
ISO-9001 | Fastener Service





CONTACT US

MIDAS UNION CO., LTD

TEL:+886-7-6213959

FAX: +886-7-6214466. 6212466

E-MAIL: service@midas.com.tw

<http://www.midas.com.tw>